

Frozen
Frozen granita and cream dispenser
with 2 insulated bowls, UK plug and LED
light

ITEM # _____

MODEL # _____

NAME # _____

SIS # _____

AIA # _____



560106 (SP2NewLUK)

* NOT TRANSLATED *

Main Features

- Ideal for production of chilled specialties: creamy desserts, sorbet, mousses and similar products.
- Works with water or milk/based dried products or with brik mixtures ready to be poured into the bowl.
- Perfect solution for bars, restaurants, cafeterias, coffee shops, hotels and all the other HoReCa operators who desire reliable piece of equipment.
- The machine automatically stops when the cover is opened.
- No more ice or condensation outside the tank with the insulated tank.
- Rounded shapes with stainless steel finishing and white plastics.
- Thanks to the two-bowl configurations, it is possible to simultaneously prepare one or more products.
- The insulated tank guarantees higher cooling efficiency and lower effect of the external temperature on product's preparation and maintenance time reducing condense and draining; it is the best solution in hot climate conditions.
- New design of the screw to adjust the product consistency makes the equipment extremely user-friendly.
- Hybrid control of consistency. The integrated software allows the equipment to self-adjust to ensure that the product has always the same consistency, from the first to the last drop dispensed.
- The bowl of SP ULTRA is also illuminated by LED lights, from above and below, giving the equipment a more attractive look, enhancing the product, increasing its visibility and encouraging impulse purchases.

Construction

- All parts that are in contact with food are in stainless steel or plastic, can be removed for easy cleaning and are dishwasher safe.
- Compact design.

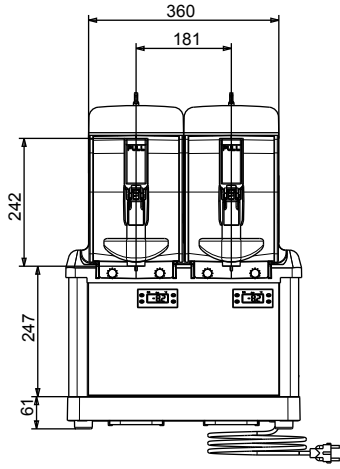
APPROVAL: _____



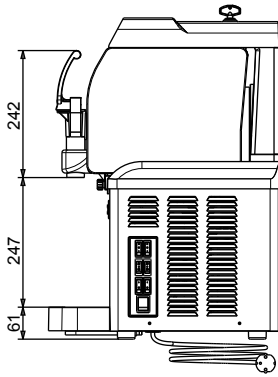
Electrolux
PROFESSIONAL

**Frozen
Frozen granita and cream dispenser with
2 insulated bowls, UK plug and LED light**

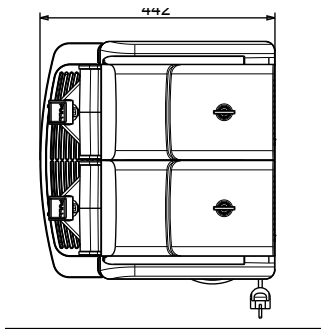
Front



Side



Top



Frozen
Frozen granita and cream dispenser with 2 insulated bowls, UK plug
and LED light
The company reserves the right to make modifications to the products
without prior notice. All information correct at time of printing.

2026.04.21

Electric

Supply voltage: 220-240 V/1 ph/50 Hz
Electrical power max.: 0.78 kW

Key Information:

Net weight: 48 kg

Sustainability

Refrigerant type: R290
Refrigerant weight: 104 g